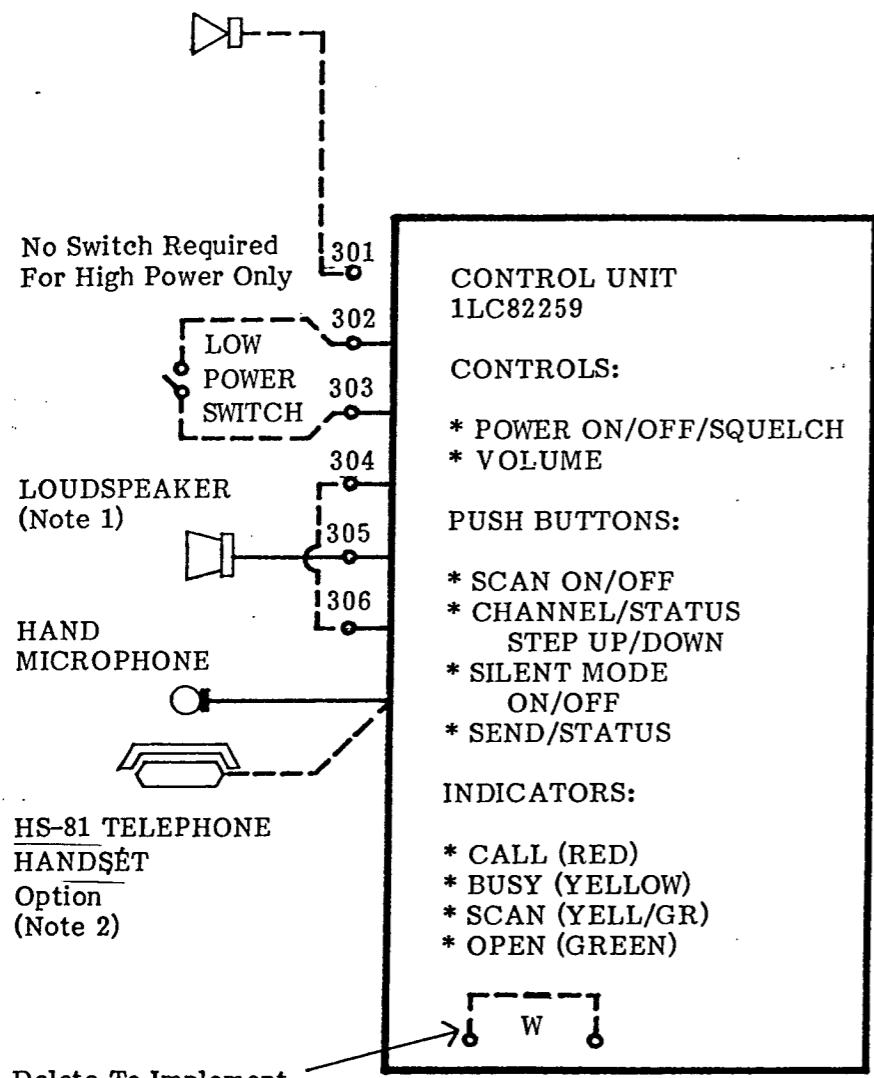


EXTERNAL AUDIO ALARM
Option for
Command SELCALL
Options



No Switch Required
For High Power Only

LOUDSPEAKER
(Note 1)

HAND
MICROPHONE

HS-81 TELEPHONE
HANDSET
Option
(Note 2)

Delete To Implement
'Residual Audio Volume'
Elective Facility

Part of Optional Accessory
EXTENSION CABLE KIT ZX-11
Type 1LK82149 or 2LK82149
(Heavy Duty)

CONTROL CABLE
(2m)

4m EXTENSION CONTROL CABLE

AUXILIARY SOCKET

- * SWITCHED SUPPLY OUTPUT (+,-)
- * RX PRE-SQUELCH AUDIO OUTPUT
- * RX POST-SQUELCH AUDIO OUTPUT
- * SQUELCH CONTROL SIGNAL OUTPUT
- * AUXILIARY AUDIO INPUT TO TX
- * TRANSMITTER PTT CONTROL
- * LOUDSPEAKER
- * MUTE INPUT

RT-85 TRANSCEIVER

- VHF LOW BAND (70 - 85 MHz) Type 1LM82271
- VHF HIGH BAND (148 - 174 MHz) Type 1LM82272
- UHF LOW BAND (403 - 420 MHz) Type 1LM82273
- UHF MID BAND (450 - 475 MHz) Type 1LM82274
- UHF HIGH BAND (470 - 500 MHz) Type 1LM82275
- UHF S.H. BAND (495 - 520 MHz) Type 1LM82276

PLUG-IN OPTIONAL FACILITIES

- | | |
|---|---|
| CTCSS (Quietline)
ENCODER ST100A
(Single Tone) | SELCALL DECODER/ENCODER
ZX-06A |
| CTCSS (Quietline)
ENCODER/DECODER
Z-281
(1 - 31 Tones) | SELCALL DECODER/ENCODER
ZX-06C with STATUS /
Car-to-Car Calling
Facility |

ANTENNA

Part of Optional Accessory
EXTENSION CABLE
KIT ZX-11
Type 1LK82149
or 2LK82149
(Heavy Duty)

10A FUSES
(Note 3)

2m BATTERY CABLE
or
6m BATTERY CABLE

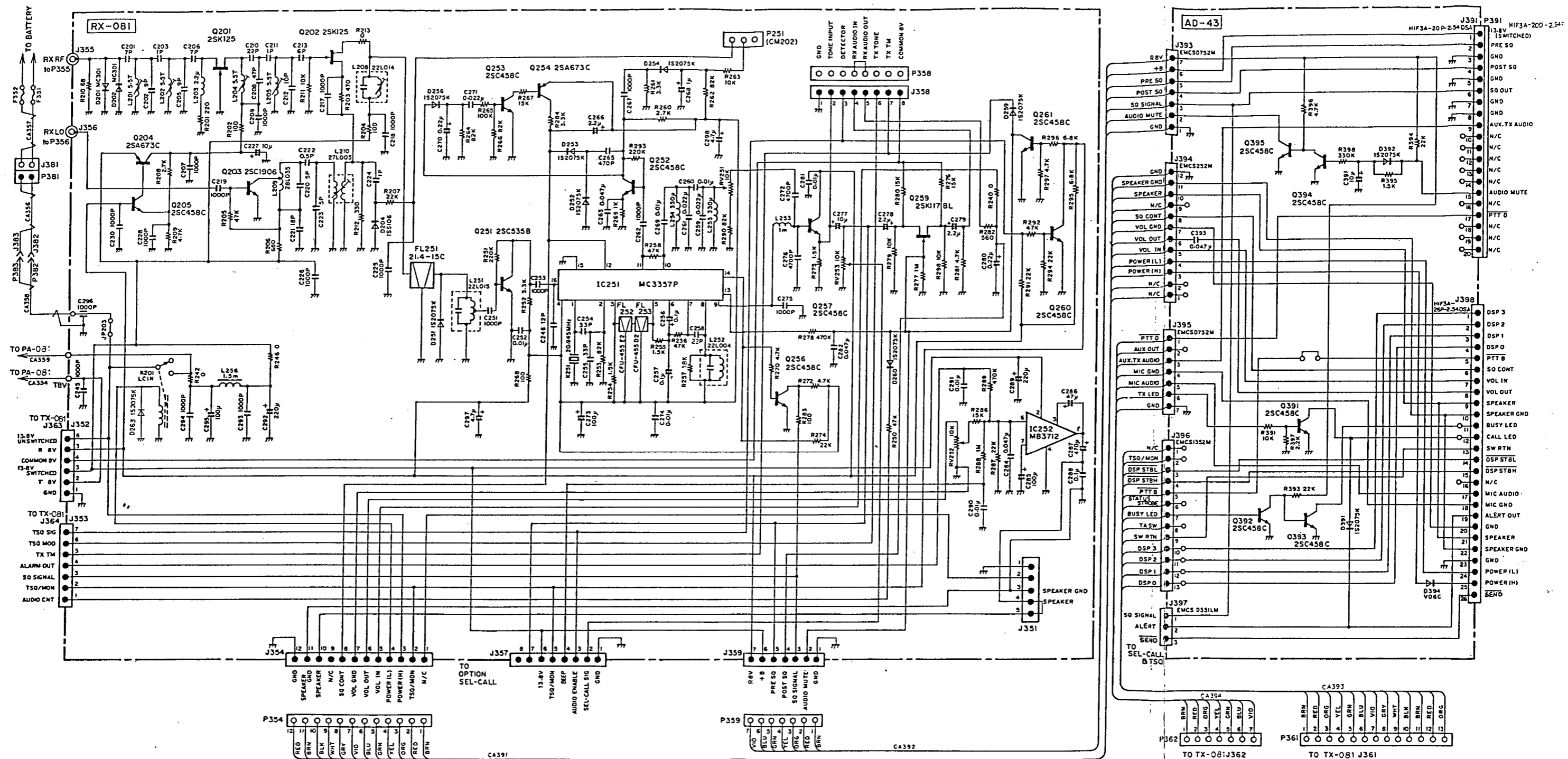
12Vdc BATTERY SUPPLY
(Negative Earth)

Note 1
Normal Speaker Connection : P304 to P305
With Handset Option, Connect Speaker P304 to P306

Note 2
For Handset Option Refer to Handbook 82150-4-16

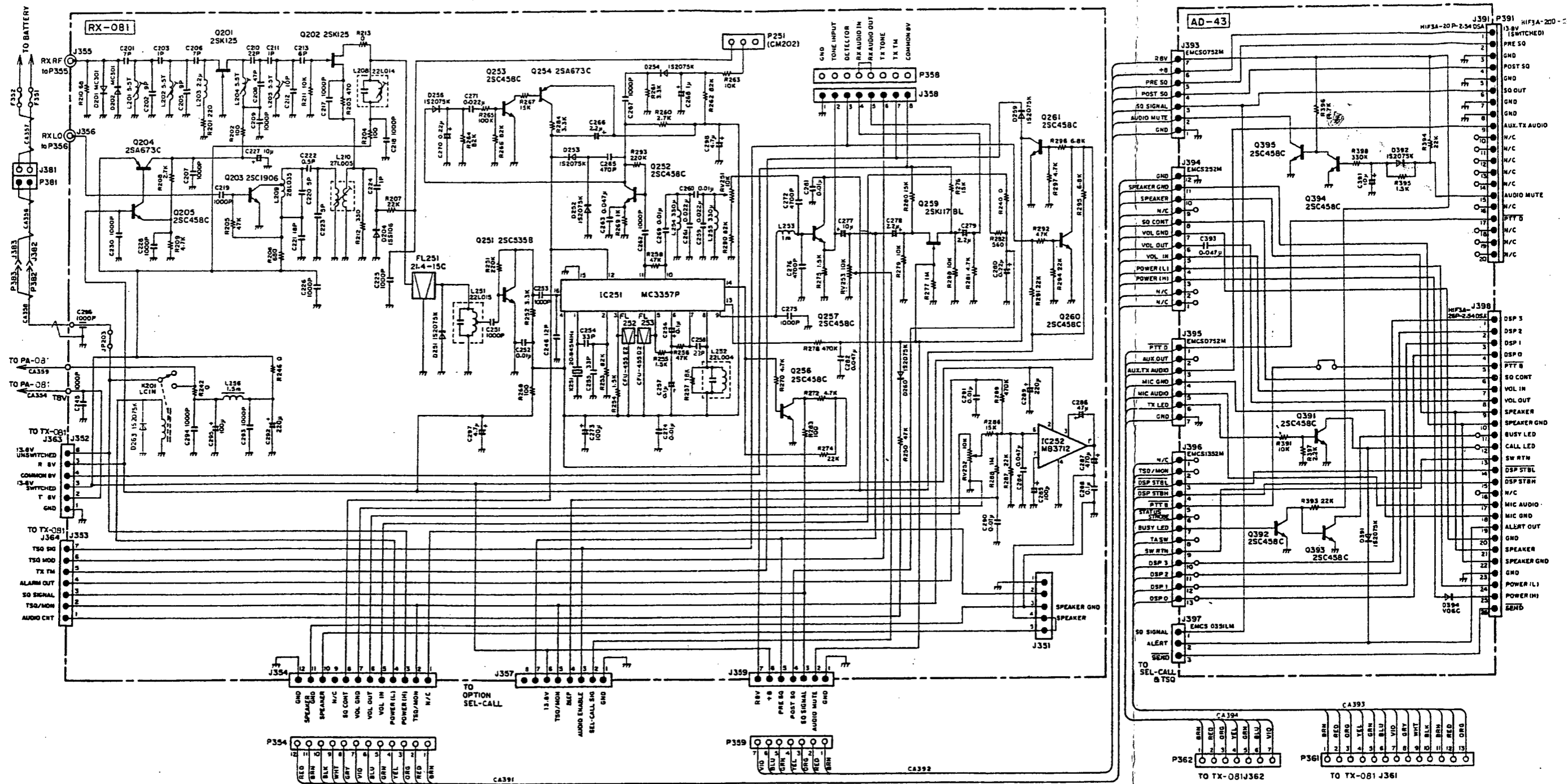
Note 3
Fuses Must be Included in Battery Cable as
There are NO Fuses in Transceiver

RT-85 SYSTEM CONFIGURATION



RECEIVER RT-85 VHF (LB) 1LM82271

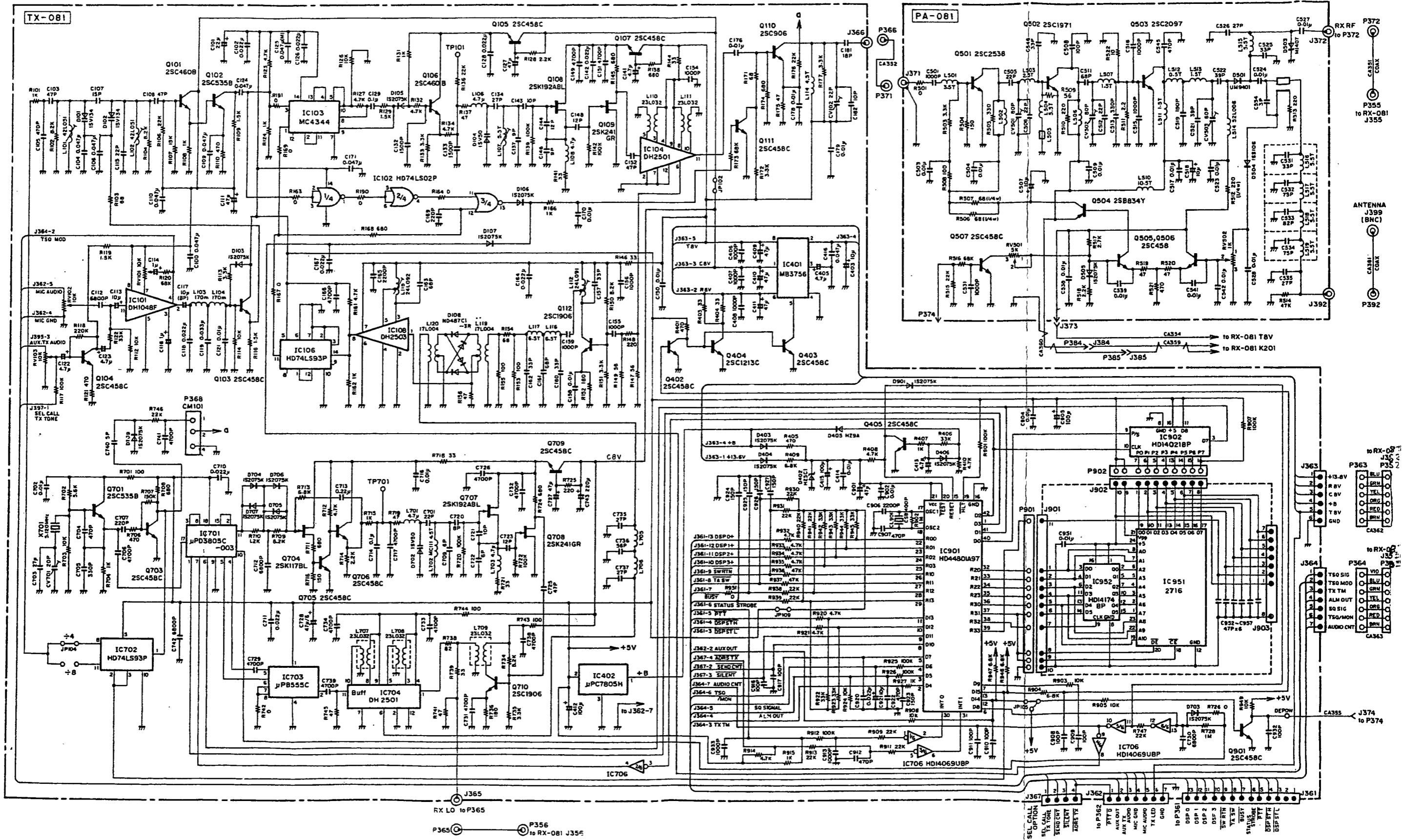
AWA Drawing 82271-1-01



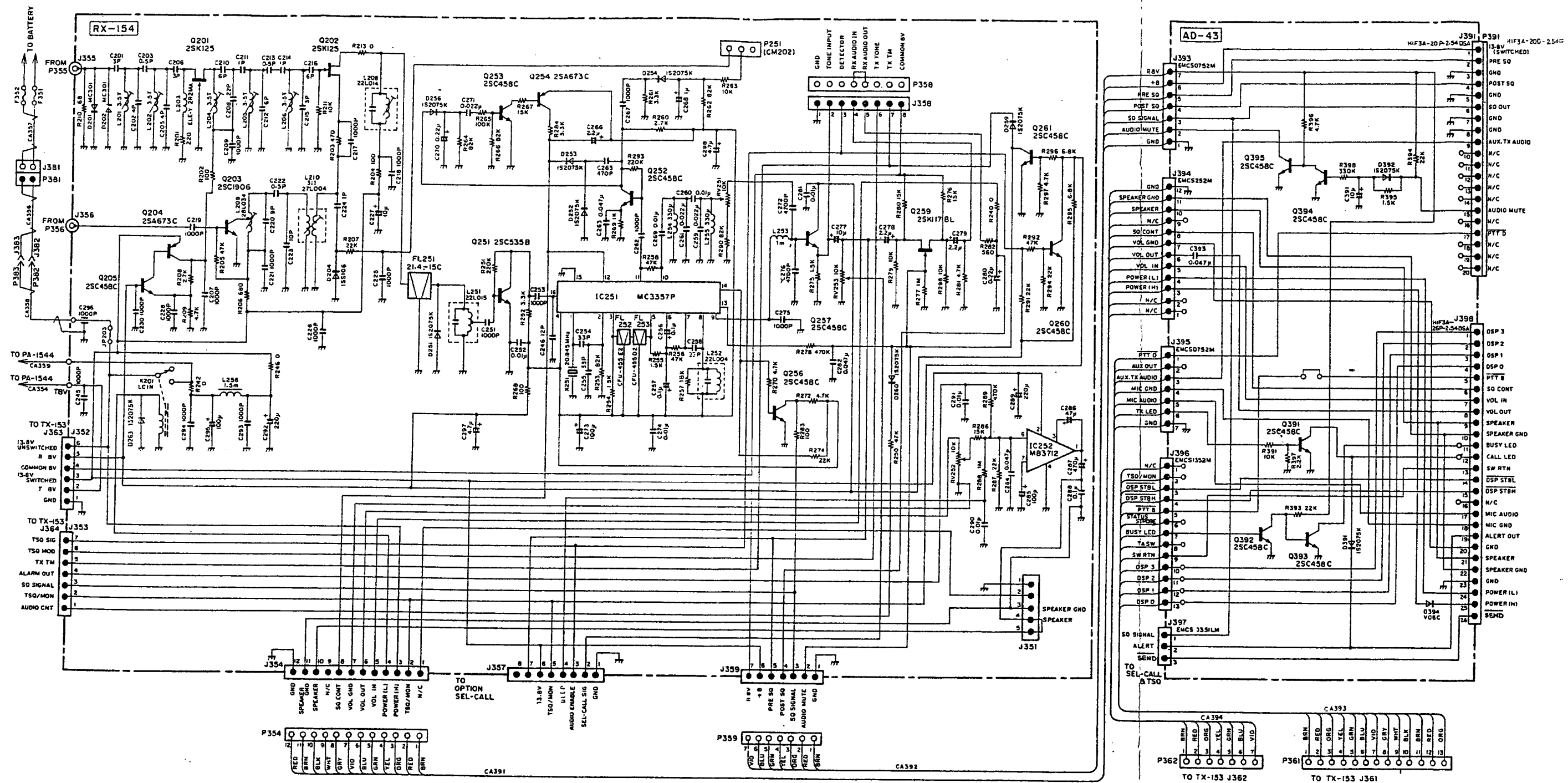
RECEIVER RT-85 VHF (LB) 1LM82271

AWA Drawing 82271-1-01

E-band



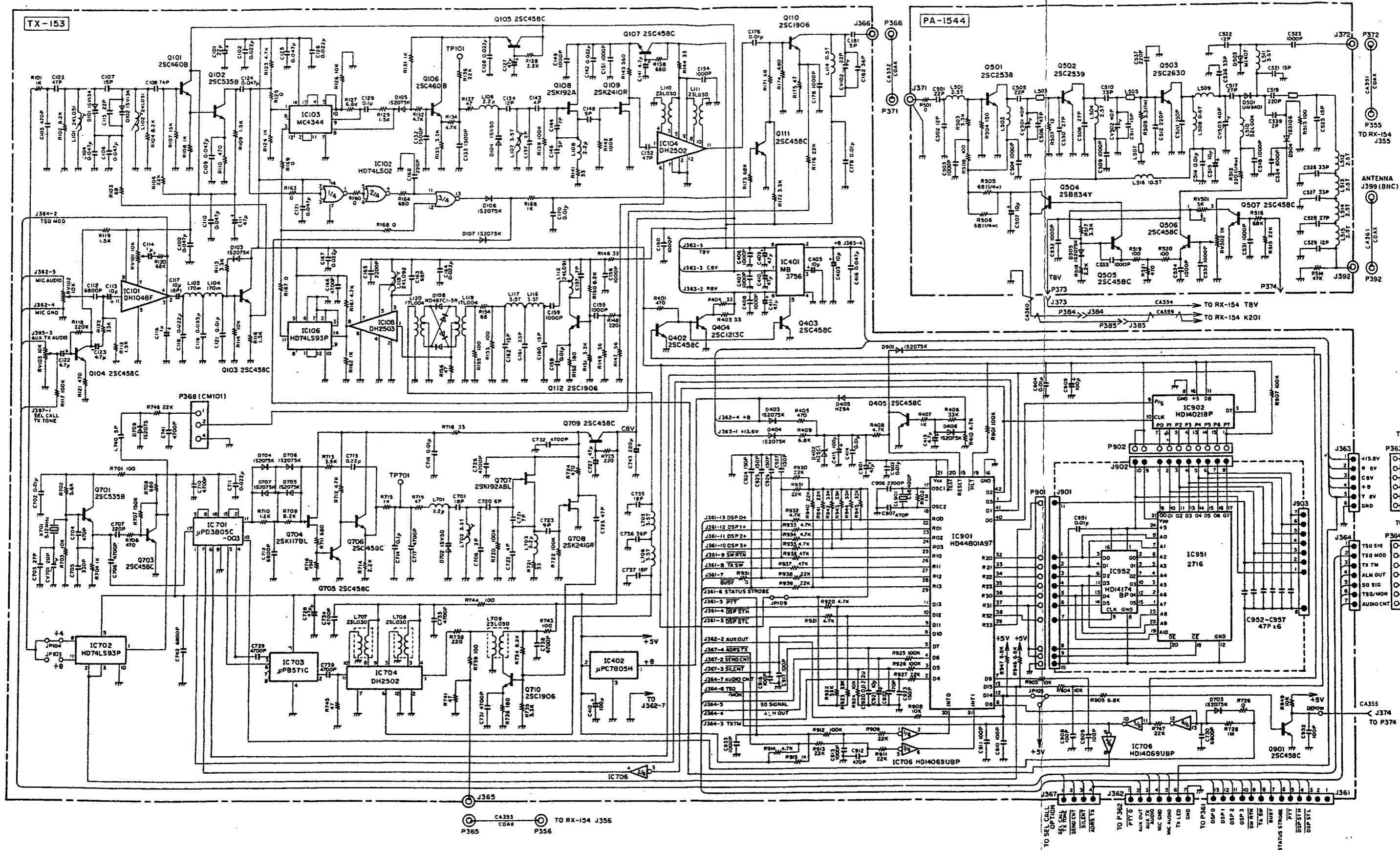
TRANSMITTER RT-85 VHF (LB) 1LM82271
 AWA Drawing 82271-1-02
E-band



RECEIVER RT-85 VHF (HB) 1LM82272

AWA Drawing 82272-1-01

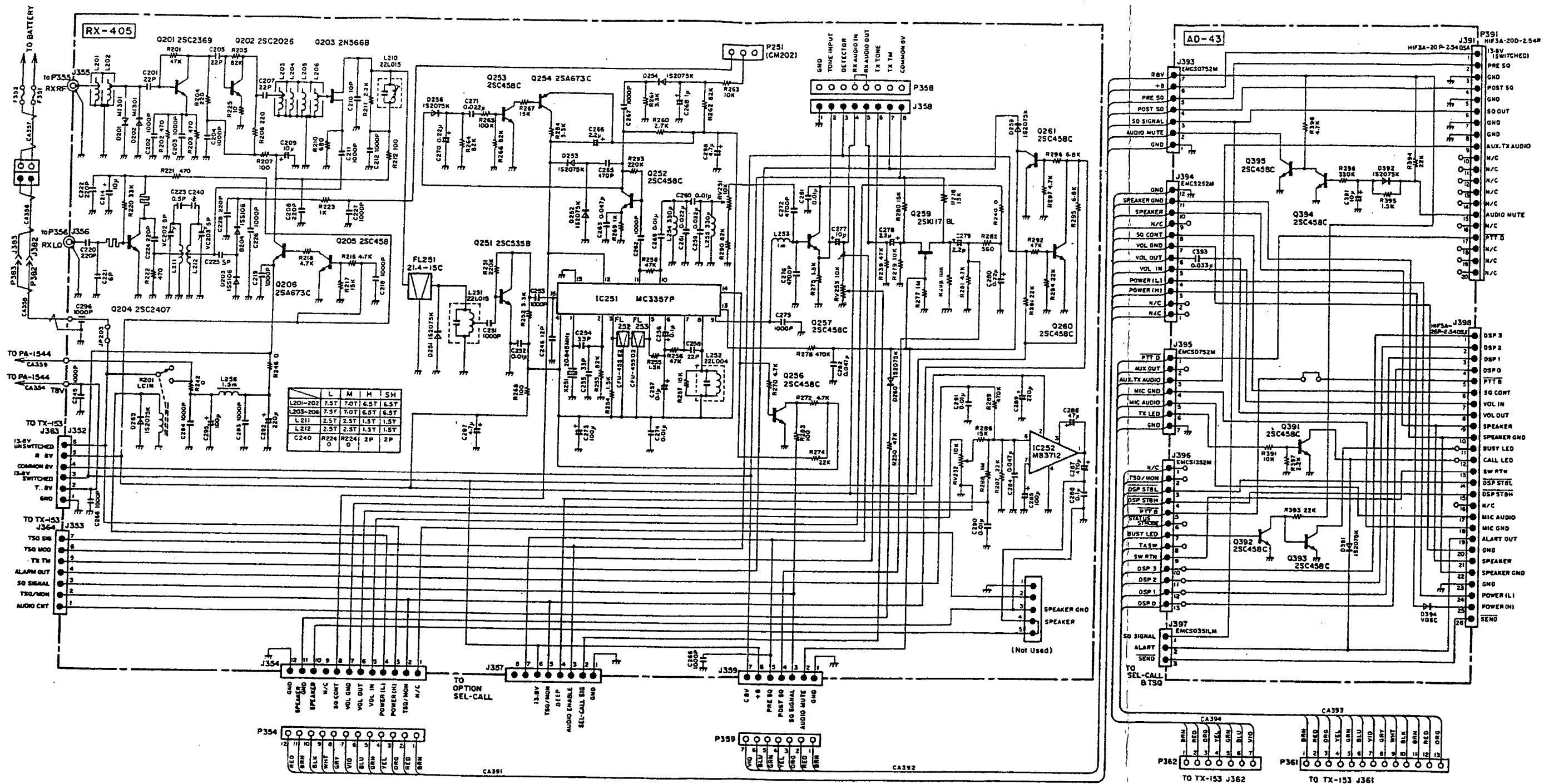
A-band



TRANSMITTER RT-85 VHF (HB) 1LM82272

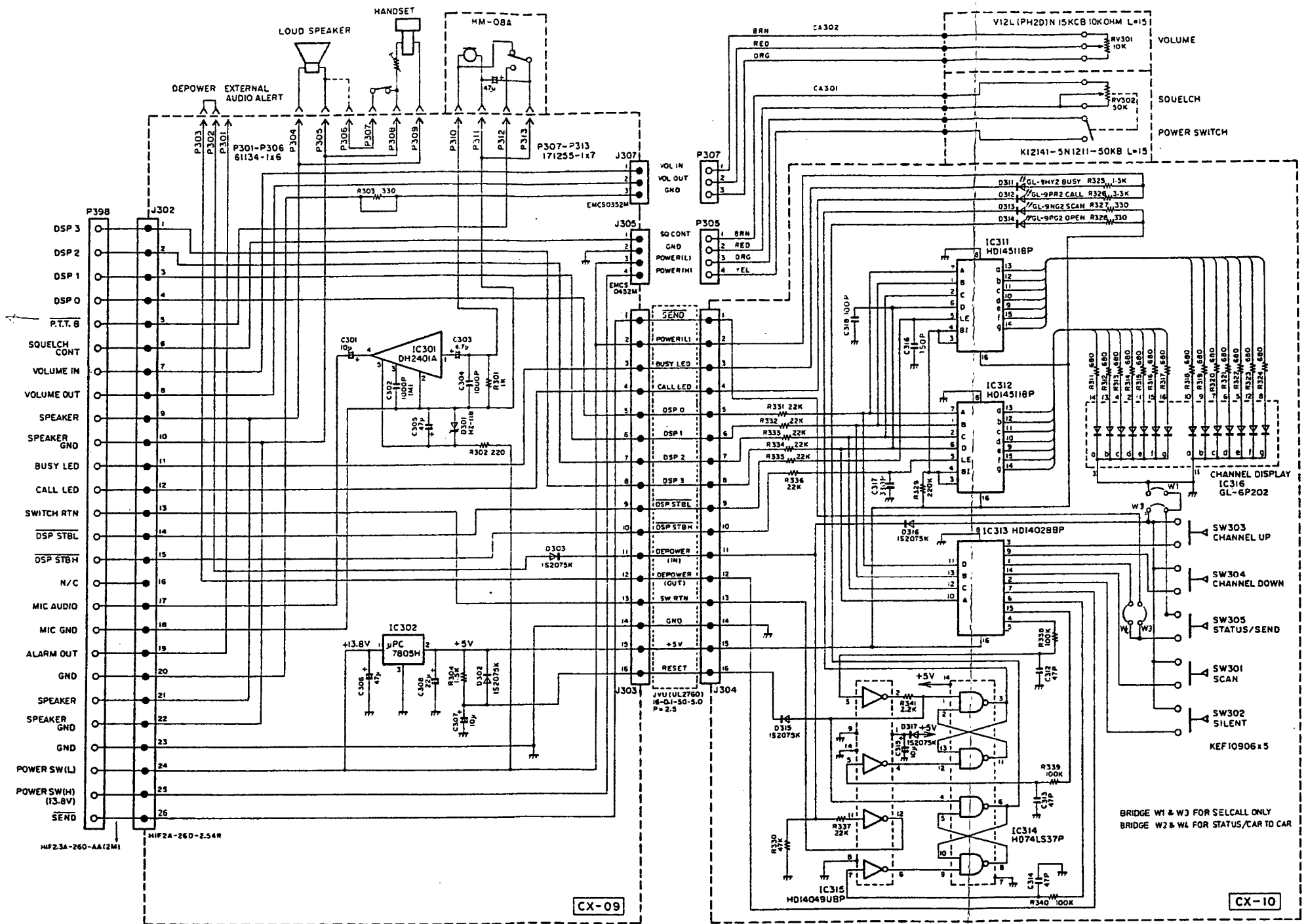
AWA Drawing 82272-1-02

A-band



RECEIVER RT-85 UHF 1LM82273, 1LM82274, 1LM82275 & 1LM82276

AWA Drawing 82273-1-01



RT-85 MOBILE CONTROL UNIT 1LC82259

AWA Drawing 82259-1-01

B.10 - SYSTEM INTERCONNECTION DIAGRAM

